

Medium security commercial sites where see-through vision is a priority. The Tube & Link offers high visibility and can be used internally behind glass for shop displays, or as a standalone security barrier. The Tube & Link is also available with aluminium housing; see appropriate datasheet.



### Grille Lattice

Brick-bond effect or standard arrangement. Aluminium 13mm diameter tubes cut to 111mm as standard, with anodised finish, enclosing an 8mm steel rod. Vertical lattice links are 86mm high, leaving 56mm high openings; smaller or larger apertures on request.

**Colours:** Anodised finish as standard. Powder coating available.

Tube length : 111mm  
 Link Height : 86mm  
 Weight per m<sup>2</sup>: 10kg  
 Maximum Width : 6,000mm  
 Maximum Surface : 24m<sup>2</sup> with single phase power or 3-phase power.

### Enclosure / Housing

Steel variant: steel plate housing from 1.0mm steel; 3mm+ laser-cut and galvanised end caps.

**Colours:** Anodised finish as standard. Powder coating available.

Guide Length (up to mm)	Box Size (mm)
2200	300
3600	360
5500	400

3-phase motor applications enclosure sizes will vary dependent on the overall shutter size.

**Note:** The above enclosure sizes are based on standard tube motor operation.

### Guide Channels / Bottom Slat

65mm galvanised guide sections are standard for the steel variant. Standard guide channel is 65x30mm, attached to either box or angle sections (see drawings to the right).

**Colours:** Anodised finish as standard. Powder coating available.

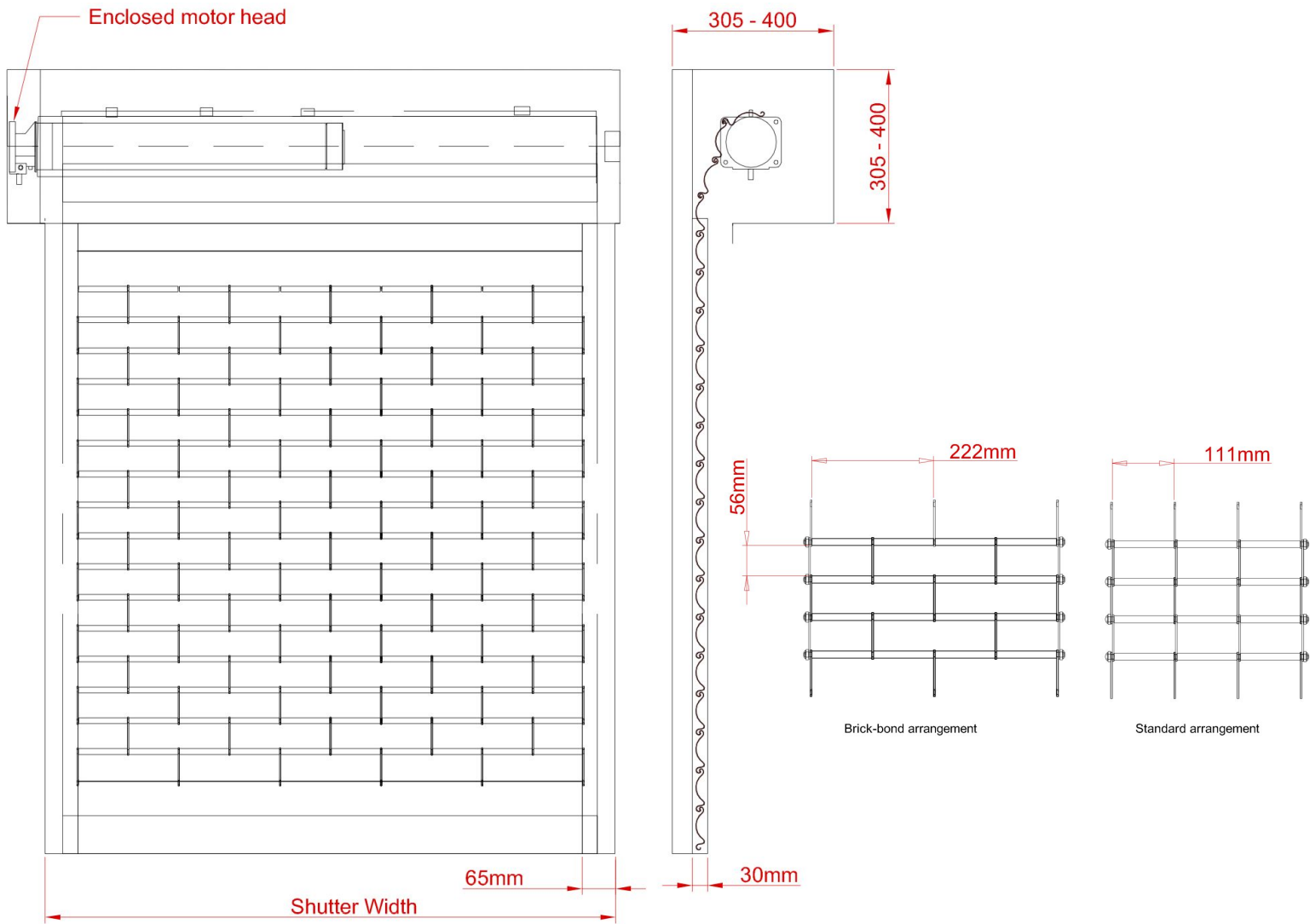
### Operation

**Electric:** Single phase tubular motor or outboard direct drive motor dependent on intended application, with push button or key switch control.

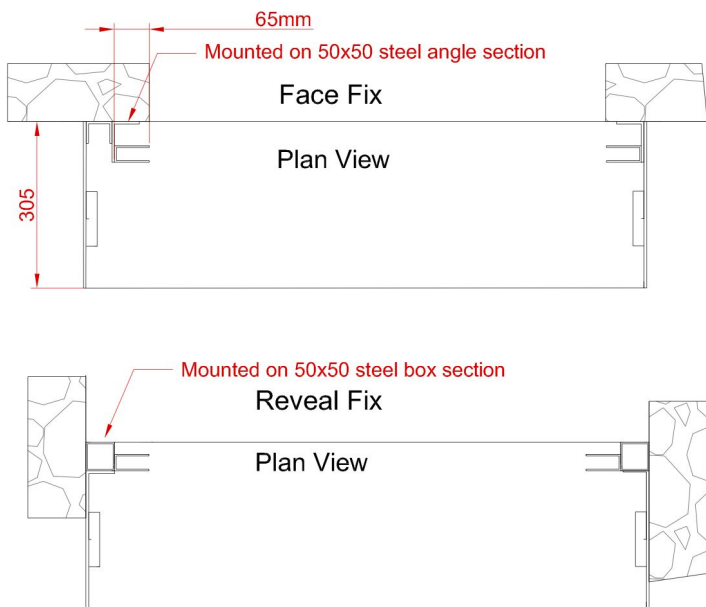
Remote control operation is available, and includes Optical Safety Edge; a PEC beam may also be appropriate when using remote control operation.

Manual override facility as required. Safety brake included as standard, to meet requirements of BS EN 13241:2003-1.

### Front Face View



### Fixing Options



### Guide Options

